

# Ultrasonic Parts Washer

# GMC-3523

## Standard Features:

- 1,920 Watts of ultrasonic power
- 316L Stainless Steel construction
- High performance ultrasonics, universal "U1B" transducers
- Dual filter system
- Oil removing surface sparger
- Low level liquid protection
- 7 Day programmable timer
- Parts basket
- Hook on Drain Shelf
- Heavy-duty casters
- Standard in 240V, 1Ø, 60Hz

## Optional Features:

- Auto Fill
- Oil Skimmer
- Task Light
- Add'l Parts Basket
- 208V Power Supply



**RANSOHOFF**



**BLACKSTONE-NEY  
ULTRASONICS**



**CTG ASIA**

# Technical Specifications

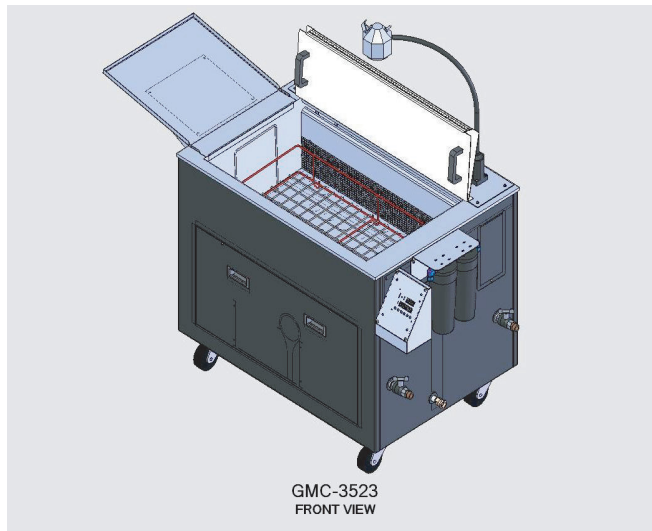
Gallon capacity	40
Ultrasonics (40kHz)	1,920W
Heat	4,000 W

## **Dimensions (LR x FB x D/H)**

Tank	35" x 21" x 13"
Overall	50" x 31.5" x 37"
Working Liquid Depth	10.75"
Power Requirement	240 V, 1Ø, 60Hz

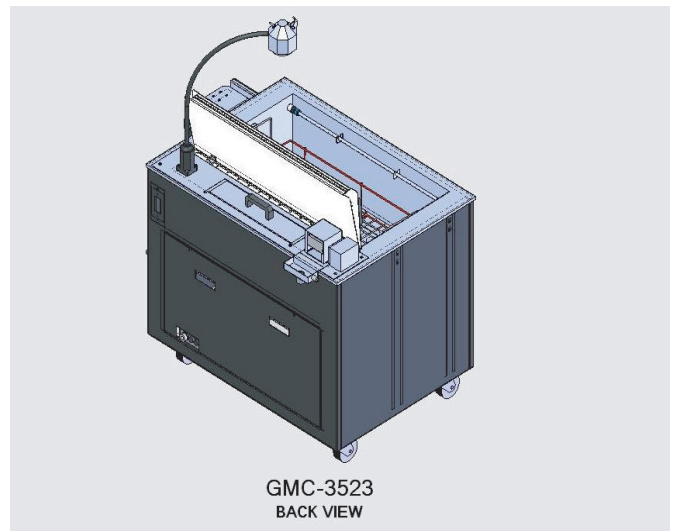
**Blackstone~NEY's** GMC-3523 is a popular portable system that can accommodate parts with one dimension up to 35 inches. The unit is completely self-contained on casters and ready to go where needed. It is equipped with our own rugged, reliable 40kHz ultrasonic transducers and high performance Neptune C<sup>®</sup> generators designed and manufactured by Blackstone-NEY Ultrasonics, the leader in advanced parts cleaning technology.

**Front**



GMC-3523  
FRONT VIEW

**Back**



GMC-3523  
BACK VIEW

## **Versatile 40 Gallon Capacity Ideal for a Broad Range of Parts**

**- Automotive - Transmission Rebuild, Reman  
- Construction - Fleet Maintenance - Filter Cleaning**



**RANSOHOFF**



**BLACKSTONE-NEY  
ULTRASONICS**



**CTG ASIA**