

GMC-3523

Ultrasonic Parts Washer

40 gallon capacity

Standard Features:

- 1,920 Watts of ultrasonic cleaning power
- 316L Stainless steel construction
- High performance ultrasonics, universal "UIB" transducers
- Dual filter system
- Oil removing surface sparger
- Low level liquid protection
- 7-day programmable timer
- Parts basket
- Heavy-duty casters
- Standard in 240V, 1Ø, 60Hz

Optional Features:

- Auto fill
- 208v power supply
- Oil Skimmer
- Hook on Drain Shelf
- Task Light
- Add'l parts basket



BLACKSTONE~NEY
ULTRASONICS

Division of Cleaning Technologies Group
Phone: (800) 766-6606
Fax: (716) 665-2480
Web Site: www.ctgclean.com

A NM Group Global, LLC Company

3523 7.15.10

Technical Specifications

GMC-3523

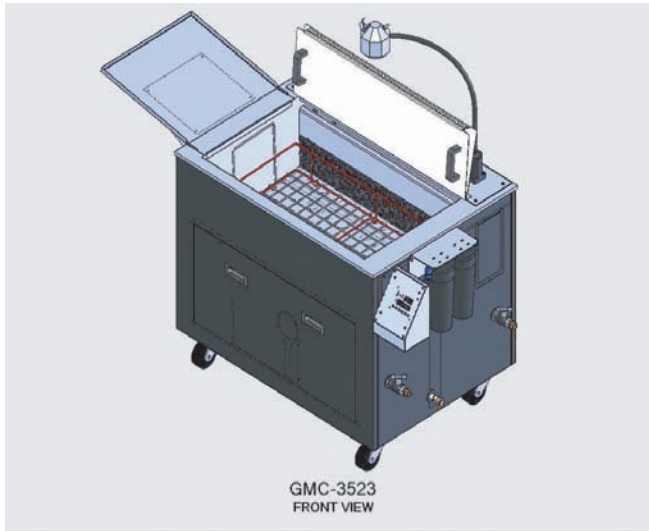
Gallon capacity	40
Ultrasonics (40kHz)	1,920W
Heat	4,000 W

Dimensions (LR x FB x D/H)

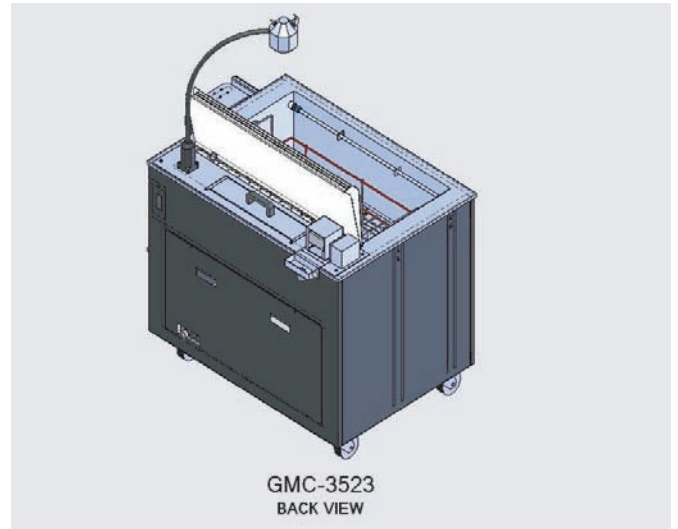
Tank	35" x 21" x 13"
Overall	50" x 31.5" x 37"
Working Liquid Depth	10.75"
Power Requirement	240 V, 1Ø, 60Hz

Warranty: 1 year on workmanship, 2 years on the generator(s) & 10 years on the bondment of the transducers.

Front



Back



Versatile 40 Gallon Capacity

Ideal for a Broad Range of Parts

- Automotive
- Transmission Rebuild, Reman
- Construction
- Fleet Maintenance
- Filter Cleaning

Blackstone~NEY's GMC-3523 is a popular portable system that can accommodate parts with one dimension up to 35 inches. The unit is completely self-contained on casters and ready to go where needed. It is equipped with our own rugged, reliable 40kHz ultrasonic transducers and high performance Neptune C™ generators designed and manufactured by Blackstone-NEY Ultrasonics, the leader in advanced parts cleaning technology.



Division of Cleaning Technologies Group
Phone: (800) 766-6606
Fax: (716) 665-2480
Web Site: www.ctgclean.com

A NM Group Global, LLC Company

3523 7.15.10